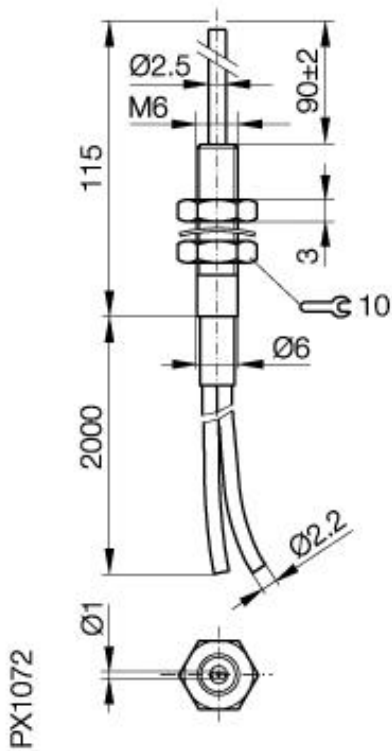


Accessories: Fiberoptic BFO D22-XA-SB-EAK-20-02



Common Data

Version	Fiber optic straight
Usable with	with BOS 15K..., BOS 20K..., BOS 74K..
Ambient temperature	-35°C...+65°C
Sensing range	15mm

Mechanical Data

Measurements WxHxD or Dia x D	M6 x 18 + Ø2.5x90
Material	PE, PMMA, stainless steel
Mounting	with thread M6
Diameter of glass fiber bundle	2x1,0
Max. pull force on cable	6
Least bending radius	25

Remarks

operating distance refers to BOS 74K..

Datasheet number::

Definitions see general catalog.
If not otherwise noted, ratings according to
IEC 60947-5-2 (DIN EN60947-5-2)

Balluff GmbH
Schurwaldstrasse 9
73765 Neuhausen a.d.F.
Phone (07158) 173-0 Fax (07158) 5010

Datenblatt by CD-ROM - 04/2007

BALLUFF
sensors worldwide